

AIR CONDITIONER

Duct type

SERVICE MANUAL

INDOOR



ARXG22KMLA

OUTDOOR



AOYG22KATA

FUJITSU GENERAL LIMITED

Notices:

- Product specifications and design are subject to change without notice for future improvement.
- For further details, please check with our authorized dealer.

Trademarks

The following term and logo are trademarks of Fujitsu General Limited in the United States, other countries or both:

FGLair™



Android and Google Play are trademarks of Google Inc.

App Store is a service mark of Apple Inc., registered in the U.S. and other countries.

IOS is a trademark or registered trademark of Cisco in the U.S. and other countries and is used under license.

CONTENTS

1. GENERAL INFORMATION

2. TECHNICAL DATA AND PARTS LIST

1. GENERAL INFORMATION

CONTENTS

1. GENERAL INFORMATION

1. Specifications	01-1
1-1. Model: ARXG22KMLA	01-1
1-2. Model: AOYG22KATA	01-3
2. Dimensions	01-4
2-1. Indoor unit	01-4
2-2. Outdoor unit	01-6

1. Specifications

1-1. Model: ARXG22KMLA

Type				Duct			
				Inverter heat pump			
Model name				ARXG22KMLA			
Power supply				230 V ~ 50 Hz			
Power supply intake				Outdoor unit			
Available voltage range				198—264 V			
Capacity	Cooling	Rated	kW	6.0			
			Btu/h	20,500			
		Min.—Max.	kW	0.9—6.3			
			Btu/h	3,100—21,400			
	Heating	Rated	kW	7.00			
			Btu/h	23,900			
Min.—Max.		kW	0.90—7.40				
		Btu/h	3,100—25,200				
Input power	Cooling	Rated	kW	1.92			
				Max.	2.67		
	Heating	Rated		2.00			
				Max.	2.67		
Current	Cooling	Rated	A	8.5			
	Heating			8.8			
Power factor	Cooling			98.2			
	Heating			98.8			
EER	Cooling			3.13			
COP	Heating			3.50			
Moisture removal				L/h (pints/h)			
				2.1 (3.7)			
Maximum operating current *1	Cooling			11.6			
	Heating			11.6			
Fan	Airflow rate	Cooling	m ³ /h	HIGH			
				MED	1,100		
				LOW	910		
				QUIET	750		
		Heating		HIGH	580		
				MED	1,100		
				LOW	910		
				QUIET	750		
	Type × Qty			Sirocco fan × 2			
	Motor output			106			
Recommended static pressure range			Pa				
			30 to 150				
Sound pressure level *2	Cooling	HIGH	dB (A)	31			
				MED	29		
				LOW	27		
				QUIET	25		
	Heating	HIGH		31			
				MED	29		
				LOW	27		
				QUIET	25		
				Heat exchanger type			mm
				Dimensions (H × W × D)			294 × 1,000 × 39.9
Fin pitch			1.40				
Rows × Stages			3 × 14				
Pipe type			Copper tube				
Fin type			Aluminum				
Enclosure			Material				
			Steel sheet				
			Color				
			—				
Dimensions (H × W × D)	Net			270 × 1,135 × 700			
	Gross			300 × 1,320 × 790			
Weight	Net			35			
	Gross			43			
Connection pipe	Size	Liquid	mm (in)	Ø 6.35 (Ø 1/4)			
		Gas		Ø 12.70 (Ø 1/2)			
	Method			Flare			
Drain hose	Material			Steel			
	Size			Ø 35.7 (I.D.), Ø 38.1 (O.D.)			
Operation range	Cooling			°C			
				18 to 32			
	Heating			%RH			
				80 or less			
				°C			
				16 to 30			
Remote control (Option)				Wired remote controller, Wireless remote controller, Mobile app*3 (FGLair™)			
NOTES:							
<ul style="list-style-type: none"> • Specifications are based on the following conditions: <ul style="list-style-type: none"> – Cooling: Indoor temperature of 27 °CDB/19 °CWB, and outdoor temperature of 35 °CDB/24 °CWB. – Heating: Indoor temperature of 20 °CDB/15 °CWB, and outdoor temperature of 7 °CDB/6 °CWB. – Standard static pressure: 35 Pa. – Pipe length: 5.0 m, Height difference: 0 m. (Between outdoor unit and indoor unit.) • Protective function might work when using it outside the operation range. • *1: Maximum operating current is the total current of the indoor unit and the outdoor unit. • *2: Sound pressure level: <ul style="list-style-type: none"> – Measured values in manufacturer's anechoic chamber. – Because of the surrounding sound environment, the sound levels measured in actual installation conditions might be higher than the specified values here. • *3: Available on Google Play™ store or on App Store®. Optional WLAN adapter is also required. For details, refer to the setting manual. 							

Specifications for ErP Lot10				
Model name			ARXG22KMLA	
Energy efficiency class	Cooling		A ⁺	
	Heating (Average)		A	
Pdesign	Cooling	kW	6.00 (35°C)	
	Heating (Average)		4.40 (-10°C)	
SEER	Cooling	kWh/kWh	5.80	
SCOP	Heating (Average)		3.80	
Annual energy consumption	QCE		362	
	QHE (Average)		1,620	
Sound power level	Cooling	HIGH	dB (A)	60
	Heating			62

1-2. Model: AOYG22KATA

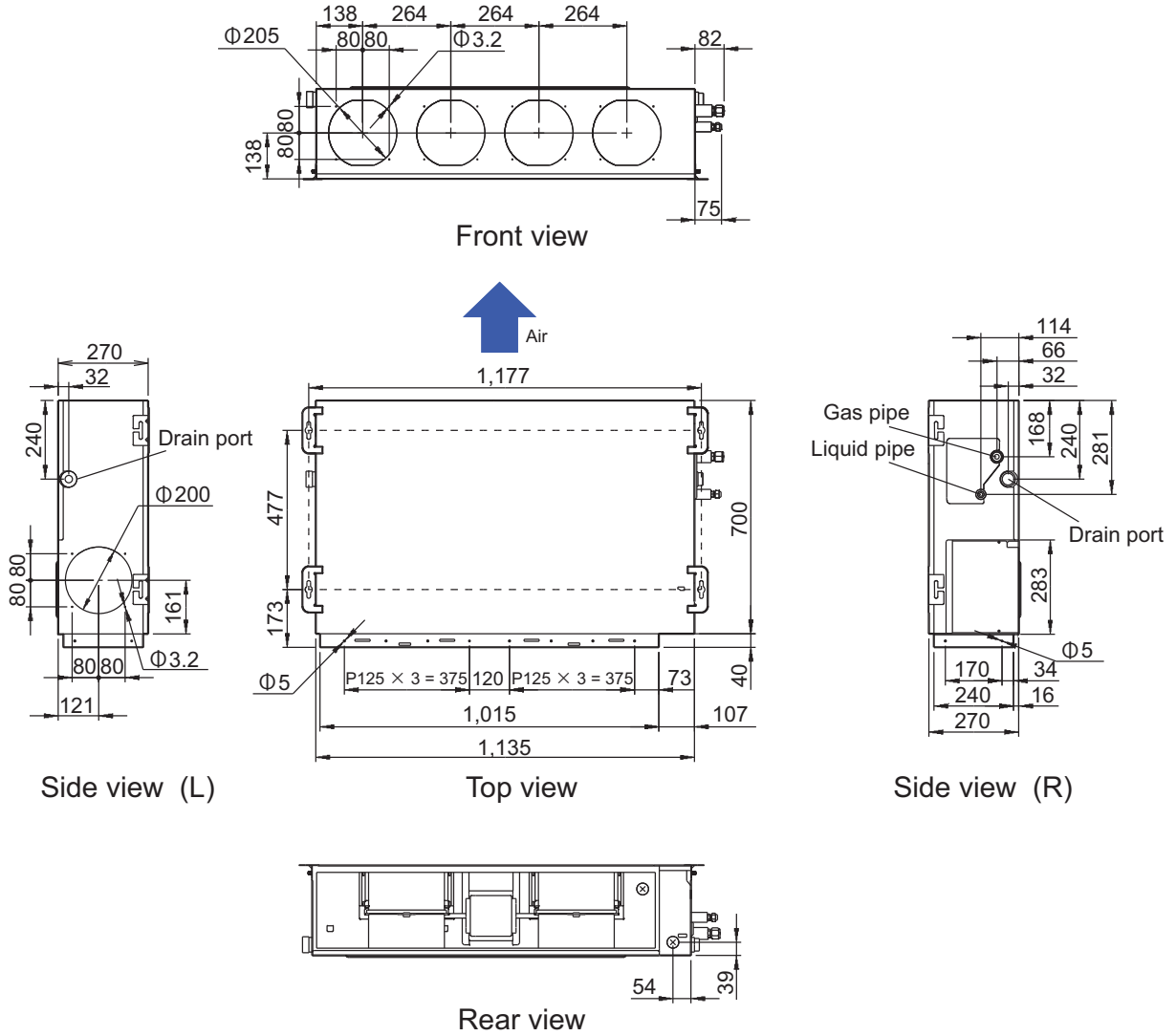
Type				Inverter heat pump		
Model name				AOYG22KATA		
Power supply				230 V ~ 50 Hz		
Available voltage range				198—264 V		
Starting current				8.8		
Fan	Airflow rate	Cooling	m ³ /h	2,240		
		Heating		2,240		
	Type × Q'ty		Propeller fan × 1			
	Motor output		W	49		
Sound pressure level *1		Cooling	dB (A)	52		
		Heating		53		
Sound power level		Cooling	dB (A)	64		
		Heating		65		
Heat exchanger type		Dimensions (H × W × D)	mm	Main 1: 588 × 881 × 18.19		
		Fin pitch		Main 2: 588 × 851 × 18.19		
		Rows × Stages		Main 1: 1.3		
		Pipe type		Main 2: 1.3		
		Fin type		Type (Material)	Main 1: 1 × 28	
		Surface treatment	Main 2: 1 × 28			
Compressor		Type × Q'ty	DC twin rotary × 1			
		Motor output	W	900		
Refrigerant		Type (Global warming potential)	R32 (675)			
		Charge	g	1,100		
Refrigerant oil		Type	FW68S			
		Amount	cm ³	350		
Enclosure		Material	Steel sheet			
		Color	Beige			
		Approximate color of Munsell 10YR 7.5/1.0				
Dimensions (H × W × D)		Net	mm	632 × 799 × 290		
		Gross		692 × 940 × 375		
Weight		Net	kg	36		
		Gross		40		
Connection pipe		Size	Liquid	Ø 6.35 (Ø 1/4)		
			Gas	Ø 12.70 (Ø 1/2)		
		Method		Flare		
		Pre-charge length		m	15	
		Max. length			25	
Max. height difference		20				
Operation range		Cooling	°C	-10 to 46		
		Heating		-15 to 24		
Drain hose		Material	PP			
		Size	mm	Ø 13.0 (I. D.), Ø 16.0 to Ø 16.8 (O. D.)		
NOTES:						
<ul style="list-style-type: none"> • Specifications are based on the following conditions: <ul style="list-style-type: none"> – Cooling: Indoor temperature of 27 °CDB/19 °CWB, and outdoor temperature of 35 °CDB/24 °CWB. – Heating: Indoor temperature of 20 °CDB/15 °CWB, and outdoor temperature of 7 °CDB/6 °CWB. – Pipe length: 5.0 m, Height difference: 0 m (Between outdoor unit and indoor unit). • Protective function might work when using it outside the operation range. • *1: Sound pressure level <ul style="list-style-type: none"> – Measured values in manufacturer's anechoic chamber. – Because of the surrounding sound environment, the sound levels measured in actual installation conditions might be higher than the specified values here. 						

2. Dimensions

2-1. Indoor unit

■ Model: ARXG22KMLA

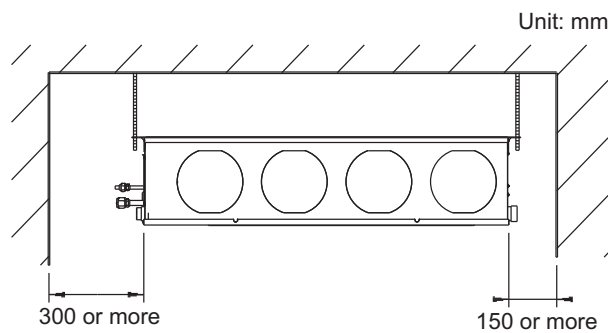
Unit: mm



■ Installation space requirement

Provide sufficient installation space for product safety.

● Model: ARXG22KMLA



■ Maintenance space requirement

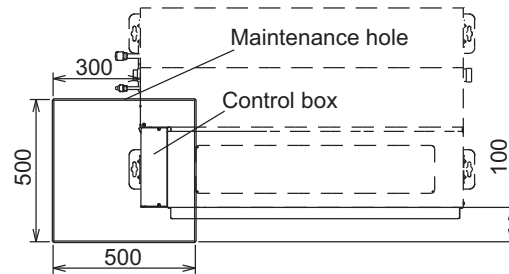
For future maintenance and service access, provide sufficient maintenance space.

NOTE: Do not place any wiring or illumination in the maintenance space, as they will impede service.

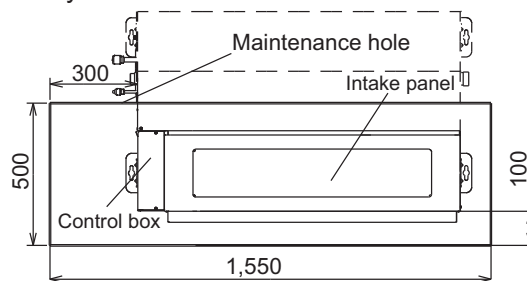
● Model: ARXG22KMLA

Unit: mm

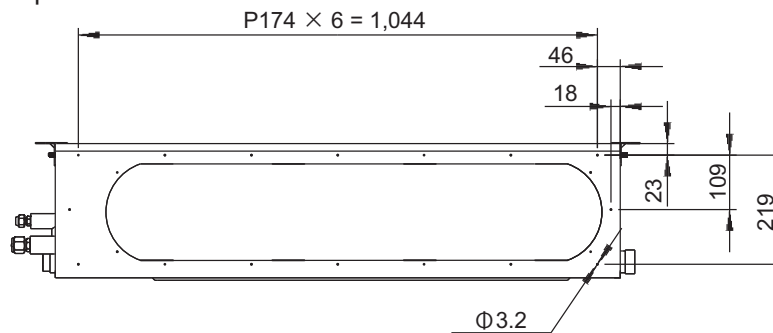
- Provide a service access for maintenance purposes.



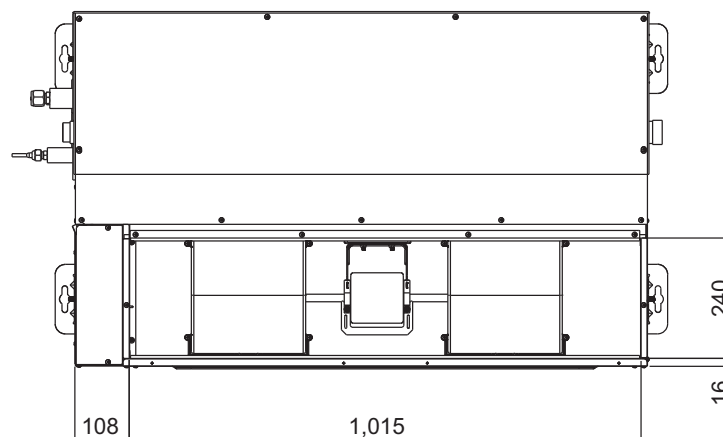
- The service access necessary for fan units and filter maintenance.



- When using a square duct



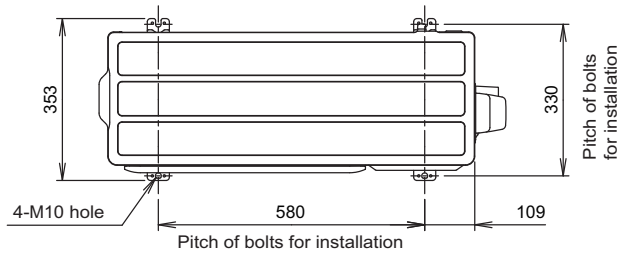
- Bottom air intake hole



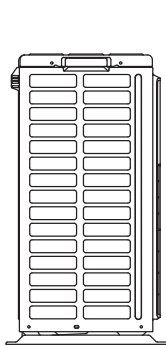
2-2. Outdoor unit

■ Model: AOYG22KATA

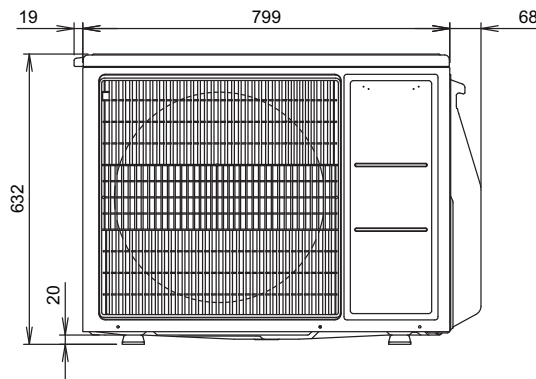
Unit: mm



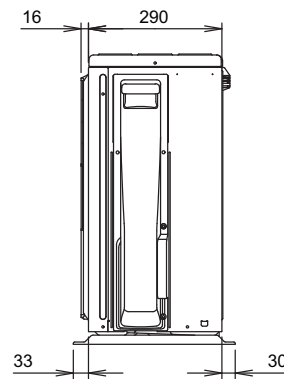
Top view



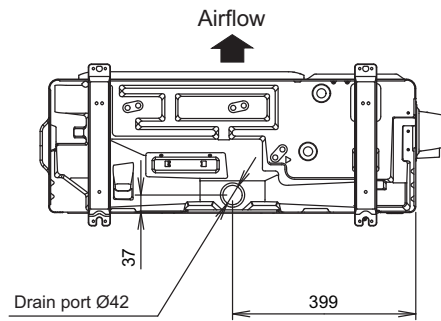
Side view



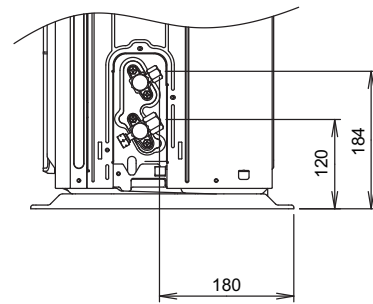
Front view



Side view



Bottom view



Side view (Valve part)