

AIR CONDITIONER

**Cassette type**

## SERVICE MANUAL

---

---

INDOOR



AUXG24KVLA

---

OUTDOOR



AOYG24KATA

---

FUJITSU GENERAL LIMITED

**Notices:**

- Product specifications and design are subject to change without notice for future improvement.
- For further details, please check with our authorized dealer.

**Trademarks**

FGLair™ is trademark of Fujitsu General Limited in the United States, other countries or both.

Google Play™ is trademark of Google Inc.

App Store® is a service mark of Apple Inc., registered in the U.S. and other countries.

# CONTENTS

## 1. GENERAL INFORMATION

## 2. TECHNICAL DATA AND PARTS LIST



## 1. GENERAL INFORMATION

# CONTENTS

## 1. GENERAL INFORMATION

<b>1. Specifications</b> .....	<b>01-1</b>
1-1. Indoor unit .....	01-1
1-2. Outdoor unit.....	01-4
<b>2. Dimensions</b> .....	<b>01-5</b>
2-1. Indoor unit .....	01-5
2-2. Outdoor unit.....	01-7

# 1. Specifications

## 1-1. Indoor unit

Type				Cassette	
				Inverter heat pump	
Model name				AUXG24KVLA	
Power supply				230 V ~ 50 Hz	
Power supply intake				Outdoor unit	
Available voltage range				198—264 V	
Capacity	Cooling	Rated	kW	6.80	
			Btu/h	23,200	
		Min.—Max.	kW	0.90—7.40	
			Btu/h	3,100—25,200	
	Heating	Rated	kW	7.50	
			Btu/h	25,600	
Min.—Max.		kW	0.90—8.60		
		Btu/h	3,100—29,300		
Input power	Cooling	Rated	kW	2.26	
		Max.		2.79	
	Heating	Rated		2.08	
		Max.		2.70	
Current	Cooling	Rated	A	10.0	
	Heating			9.1	
Power factor	Cooling			98.4	
	Heating			98.9	
EER	Cooling			3.01	
COP	Heating			3.61	
Moisture removal			L/h (pints/h)	2.7 (4.8)	
Maximum operating current *1	Cooling			12.6	
	Heating			12.6	
Fan	Airflow rate	Cooling	m <sup>3</sup> /h	HIGH	930
				MED	830
				LOW	600
				QUIET	450
		Heating		HIGH	930
				MED	860
				LOW	700
				QUIET	530
	Type × Q'ty			Turbo × 1	
	Motor output			W	
Sound pressure level *2	Cooling	dB (A)	HIGH	49	
			MED	44	
			LOW	36	
			QUIET	30	
	Heating		HIGH	49	
			MED	45	
			LOW	40	
			QUIET	33	
Heat exchanger type	Dimensions (H × W × D)		mm	Main1: 210 × 1,360 × 13.3	
				Main2: 210 × 1,295 × 13.3	
				Main3: 210 × 1,235 × 13.3	
	Fin pitch			Main1: 1.45	
				Main2: 1.45	
			Main3: 1.45		
Rows × Stages				Main1: 1 × 10	
				Main2: 1 × 10	
				Main3: 1 × 10	
Pipe type				Copper tube	
Fin type				Aluminum	
Dimensions (H × W × D)	Net		mm	245 × 570 × 570	
	Gross			265 × 730 × 625	
Weight	Net		kg	16	
	Gross			20	
Connection pipe	Size	Liquid	mm (in)	Ø 6.35 (Ø 1/4)	
		Gas		Ø 12.70 (Ø 1/2)	
	Method			Flare	
Operation range	Cooling		°C	18 to 32	
			%RH	80 or less	
	Heating		°C	16 to 30	
Cassette grille (Grid type: Option)	Material			Polystyrene	
	Color			White	
				Approximate color of Munsell 9PB 9.1/0.2	
	Dimensions (H × W × D)	Net	mm	49 × 620 × 620	
		Gross		120 × 765 × 755	
Weight	Net	kg	2.3		
	Gross		4.5		
Remote control (Option)				Wired remote controller, Wireless remote controller, Mobile app*3 (FGLair™)	
Drain hose	Material			PVC	
	Size			VP25 [Ø 25(I.D.), Ø 32(O.D.)]	

Type	Cassette
	Inverter heat pump
Model name	AUXG24KVLA
<p><b>NOTES:</b></p> <ul style="list-style-type: none"> <li>• Specifications are based on the following conditions: <ul style="list-style-type: none"> <li>– Cooling: Indoor temperature of 27 °CDB/19 °CWB, and outdoor temperature of 35 °CDB/24 °CWB.</li> <li>– Heating: Indoor temperature of 20 °CDB/15 °CWB, and outdoor temperature of 7 °CDB/6 °CWB.</li> <li>– Pipe length: 5.0 m, Height difference: 0 m. (Between outdoor unit and indoor unit.)</li> </ul> </li> <li>• Protective function might work when using it outside the operation range.</li> <li>• *1: Maximum operating current is the total current of the indoor unit and the outdoor unit.</li> <li>• *2: Sound pressure level: <ul style="list-style-type: none"> <li>– Measured values in manufacturer's anechoic chamber.</li> <li>– Because of the surrounding sound environment, the sound levels measured in actual installation conditions might be higher than the specified values here.</li> </ul> </li> <li>• *3: Available on Google Play™ store or on App Store®. Optional WLAN adapter is also required. For details, refer to the setting manual.</li> </ul>	



Specifications for ErP Lot10				
Model name			AUXG24KVL A	
Energy efficiency class	Cooling		A <sup>+</sup>	
	Heating (Average)		A	
Pdesign	Cooling		6.8 (35°C)	
	Heating (Average)		5.4 (-10°C)	
SEER	Cooling		5.90	
SCOP	Heating (Average)		3.80	
Annual energy consumption	QCE		403	
	QHE (Average)		1,988	
Sound power level	Cooling	HIGH	dB (A)	59
	Heating			61

## 1-2. Outdoor unit

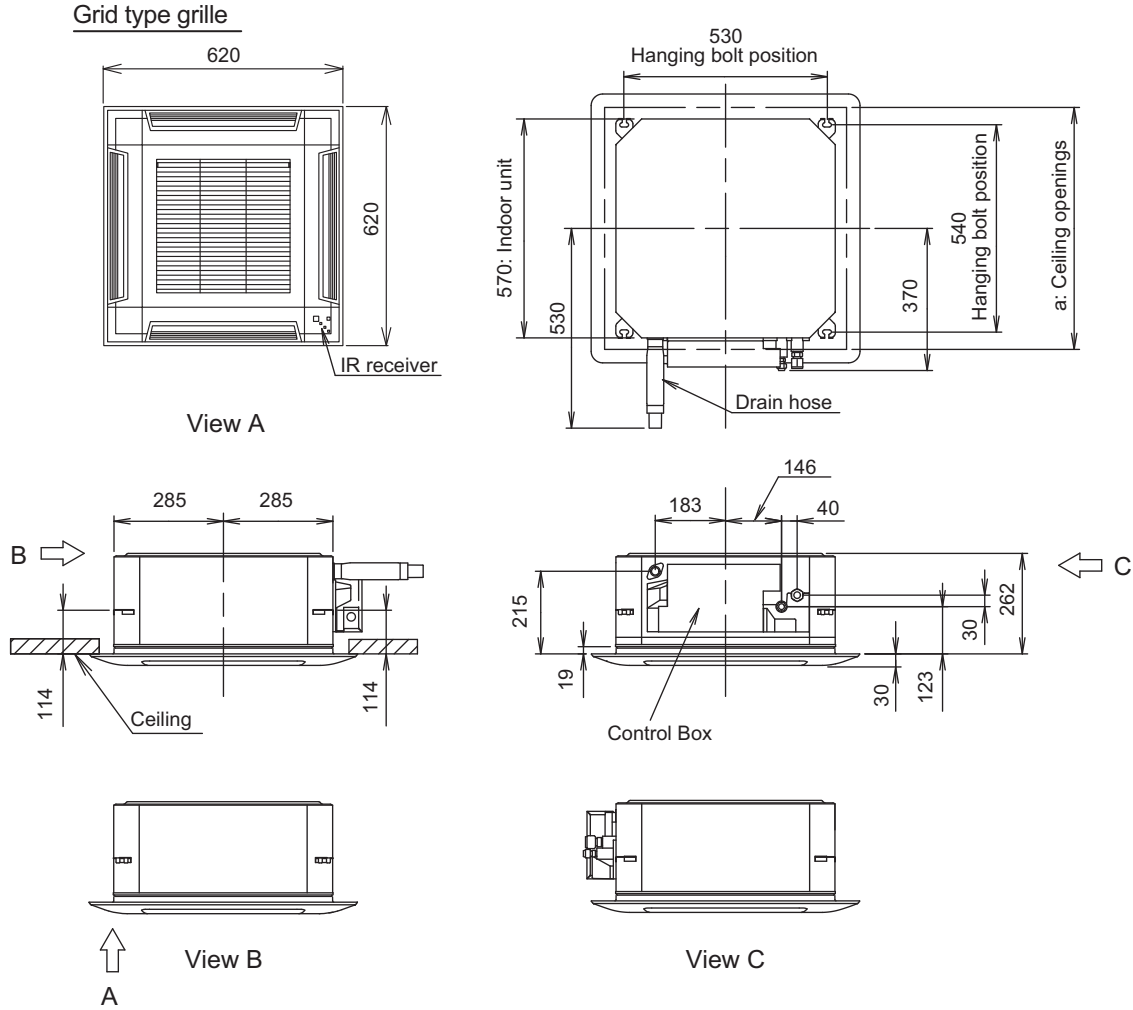
Type				Inverter heat pump	
Model name				AOYG24KATA	
Power supply				230 V ~ 50 Hz	
Power supply intake				Outdoor unit	
Available voltage range				198—264 V	
Starting current				10.0	
Fan	Airflow rate	Cooling	m <sup>3</sup> /h	2,885	
		Heating		2,350	
	Type × Q'ty			Propeller × 1	
	Motor output		W	49	
Sound pressure level *1		Cooling	dB (A)	54	
		Heating		55	
Sound power level		Cooling	dB (A)	66	
		Heating		67	
Heat exchanger type	Dimensions (H × W × D)		mm	Main1: 588 × 881 × 18.19	
				Main2: 588 × 851 × 18.19	
	Fin pitch				Main1: 1.3
					Main2: 1.3
	Rows × Stages				Main1: 1 × 28
	Pipe type				Main2: 1 × 28
Fin	Type (Material)			Copper	
		Surface treatment		Aluminum	
Compressor	Type × Q'ty			DC Twin rotary × 1	
	Motor output		W	1,060	
Refrigerant	Type (Global warming potential)			R32 (675)	
	Factory charge		g	1,250	
Refrigerant oil	Type			RmM68AF	
	Amount		cm <sup>3</sup>	400	
Enclosure	Material			Steel sheet	
	Color			Beige	
Dimensions (H × W × D)	Net		mm	632 × 799 × 290	
	Gross			692 × 940 × 375	
Weight	Net		kg	38	
	Gross			42	
Connection pipe	Size	Liquid	mm (in)	Ø 6.35 (Ø 1/4)	
		Gas		Ø 12.70 (Ø 1/2)	
	Method			Flare	
	Pre-charge length		m	20	
	Max. length			25	
	Max. height difference			20	
Operation range		Cooling	°C	-10 to 46	
		Heating		-15 to 24	
Drain hose	Material			PP	
	Size		mm	Ø13.0 (I. D.), Ø16.0 to Ø16.8 (O. D.)	
<b>NOTES:</b>					
<ul style="list-style-type: none"> <li>• Specifications are based on the following conditions: <ul style="list-style-type: none"> <li>– Cooling: Indoor temperature of 27 °CDB/19 °CWB, and outdoor temperature of 35 °CDB/24 °CWB.</li> <li>– Heating: Indoor temperature of 20 °CDB/15 °CWB, and outdoor temperature of 7 °CDB/6 °CWB.</li> <li>– Pipe length: 5.0 m, Height difference: 0 m. (Between outdoor unit and indoor unit.)</li> </ul> </li> <li>• Protective function might work when using it outside the operation range.</li> <li>• *1: Sound pressure level <ul style="list-style-type: none"> <li>– Measured values in manufacturer's anechoic chamber.</li> <li>– Because of the surrounding sound environment, the sound levels measured in actual installation conditions might be higher than the specified values here.</li> </ul> </li> </ul>					

## 2. Dimensions

### 2-1. Indoor unit

#### ■ Model: AUXG24KVL A

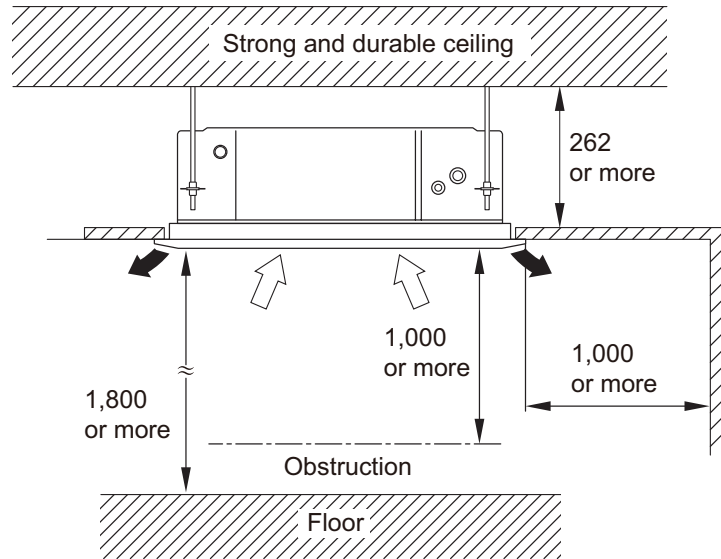
Unit: mm



a: Ceiling openings		
Cassette grille (Option [Grid type])	mm	580 to 610

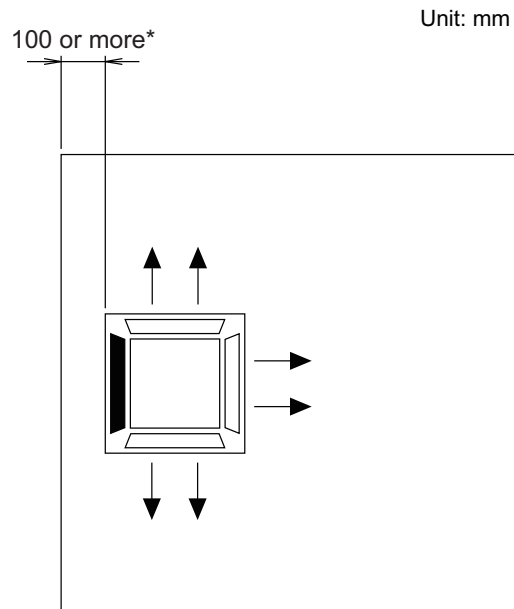
## ■ Installation space requirement

Unit: mm



Maximum height from floor to ceiling (Unit: mm)	
Standard	2,700
High ceiling	3,000

### 3-way direction setting:



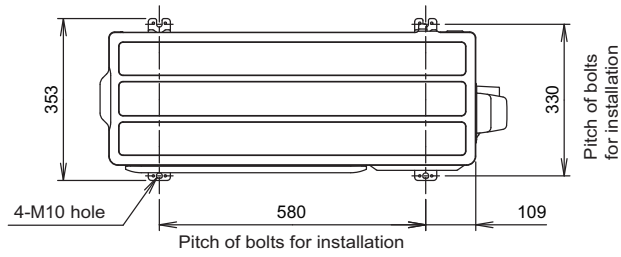
### NOTES:

- To set "3-direction", optional Air outlet shutter plate (UTR-YDZB) must be installed, and the "outlet-direction" need to be switched to "3-way" by remote controller.  
\*When installing the indoor unit, be careful about the maintenance space.
- In 3-way outlet mode, changing of ceiling height setting by function setting 20 is prohibited.  
(Ceiling height setting [function setting 20] is allowed to be changed only in 4-way outlet mode.)

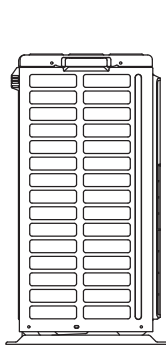
## 2-2. Outdoor unit

### ■ Model: AOYG24KATA

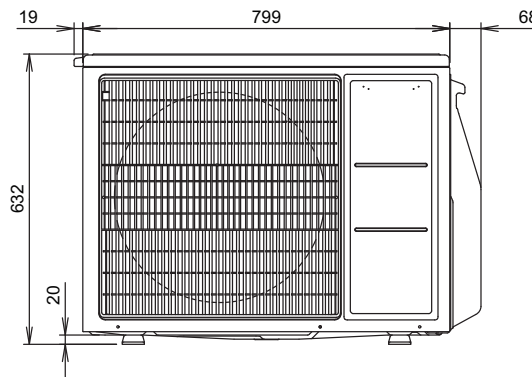
Unit: mm



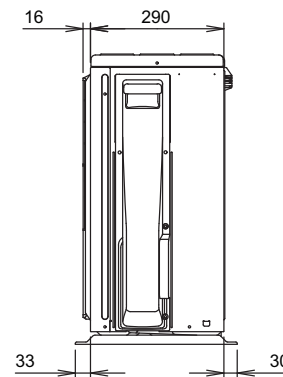
Top view



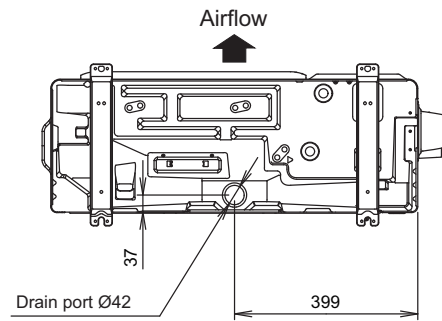
Side view



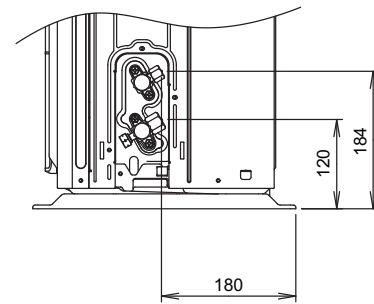
Front view



Side view



Bottom view



Side view (Valve part)