

AIR CONDITIONER

Cassette type

SERVICE MANUAL

INDOOR



AUXG18KRLB
AUXG22KRLB

OUTDOOR



AOYG18KATA



AOYG22KATA

FUJITSU GENERAL LIMITED

Notices:

- Product specifications and design are subject to change without notice for future improvement.
- For further details, please check with our authorized dealer.

Trademarks

The following term and logo are trademarks of Fujitsu General Limited in the United States, other countries or both:

FGLair™



Android and Google Play are trademarks of Google Inc.

App Store is a service mark of Apple Inc., registered in the U.S. and other countries.

IOS is a trademark or registered trademark of Cisco in the U.S. and other countries and is used under license.

CONTENTS

1. GENERAL INFORMATION

2. TECHNICAL DATA AND PARTS LIST

1. GENERAL INFORMATION

CONTENTS

1. GENERAL INFORMATION

1. Specifications	01-1
1-1. Indoor unit	01-1
1-2. Outdoor unit.....	01-3
2. Dimensions	01-4
2-1. Indoor unit	01-4
2-2. Outdoor unit.....	01-7

1. Specifications

1-1. Indoor unit

Type				Cassette		
				Inverter heat pump		
Model name				AUXG18KRLB	AUXG22KRLB	
Power supply				230 V ~ 50 Hz		
Power supply intake				Outdoor unit		
Available voltage range				198—264 V		
Capacity	Cooling	Rated	kW	5.2	6.0	
			Btu/h	17,700	20,500	
		Min.—Max.	kW	0.90—5.40	0.90—6.30	
	Heating	Rated	Btu/h	3,100—18,400	3,100—21,400	
			kW	6.0	7.0	
			Btu/h	20,500	23,900	
Min.—Max.		kW	0.90—6.30	0.90—7.40		
		Btu/h	3,100—21,400	3,100—25,200		
		kW	1.60	1.85		
Input power	Cooling	Max.	kW	2.33	2.67	
				Heating	Max.	1.66
	Rated	2.33				2.67
		Heating		Rated	A	7.4
Cooling	Rated		A		7.7	8.5
		Power factor	Cooling	%	94.0	98.1
Heating	93.7				98.7	
	EER	Cooling	kW/kW	3.25	3.24	
COP	Heating	kW/kW	3.61	3.63		
Moisture removal			L/h (pints/h)	1.5 (2.6)	2.2 (3.9)	
Maximum operating current *1			A	Cooling	10.1	
				Heating	10.1	
Fan	Airflow rate	Cooling	m ³ /h	HIGH	1,050	
				MED	960	
				LOW	900	
				QUIET	780	
		Heating		HIGH	1,050	
				MED	960	
				LOW	900	
				QUIET	780	
	Type × Q'ty			Turbo fan × 1		
	Motor output			W		
Sound pressure level *2	Cooling	dB (A)	HIGH	33		
			MED	32		
			LOW	31		
			QUIET	28		
	Heating		HIGH	33		
			MED	32		
			LOW	31		
			QUIET	28		
Heat exchanger type	Dimensions (H × W × D)		mm	Main 1: 210 × 2,127 × 13.3		
	Fin pitch			Main 2: 210 × 2,061 × 13.3		
	Rows × Stages			Main 1: 1.2		
	Pipe type			Main 2: 1.2		
	Fin type			Main 1: 1 × 10		
Dimensions (H × W × D)	Net		mm	Main 2: 1 × 10		
	Gross			Copper tube		
Weight	Net		kg	Aluminum		
	Gross			246 × 840 × 840		
Connection pipe	Size	Liquid	mm (in)	298 × 960 × 950		
		Gas		23		
	Method	28				
Drain hose	Material		Ø 6.35 (Ø 1/4)			
	Size		Ø 12.70 (Ø 1/2)			
Operation range	Material		Flare			
	Cooling	mm	PVC(VP25)			
		°C	Ø 25 (I.D.), Ø 32 (O.D.)			
Cassette grille (Option)	Color	Polystyrene				
		White				
Remote control (Option)	Dimensions (H × W × D)	Net	mm	Approximate color of MUNSELL N 9.25/		
				Gross	53 × 950 × 950	
	Weight	Net			110 × 1,000 × 1,010	
				Gross	6.0	
		10.0				

NOTES:

- Specifications are based on the following conditions:
 - Cooling: Indoor temperature of 27 °CDB/19 °CWB, and outdoor temperature of 35 °CDB/24 °CWB.
 - Heating: Indoor temperature of 20 °CDB/15 °CWB, and outdoor temperature of 7 °CDB/6 °CWB.
 - Pipe length: 5.0 m, Height difference: 0 m. (Between outdoor unit and indoor unit.)
- Protective function might work when using it outside the operation range.
- *1: Maximum operating current is the total current of the indoor unit and the outdoor unit.
- *2: Sound pressure level:
 - Measured values in manufacturer's anechoic chamber.
 - Because of the surrounding sound environment, the sound levels measured in actual installation conditions might be higher than the specified values here.
- *3: Available on Google Play™ store or on App Store®. Optional WLAN adapter is also required. For details, refer to the setting manual.

Specifications for ErP Lot10					
Model name			AUXG18KRLB		AUXG22KRLB
Energy efficiency class	Cooling		A ⁺⁺		
	Heating (Average)		A ⁺		
Pdesign	Cooling	kW	5.2 (35°C)		6.0 (35°C)
	Heating (Average)		3.8 (-10°C)		4.4 (-10°C)
SEER	Cooling		6.20		6.20
SCOP	Heating (Average)		4.10		4.10
Annual energy consumption	QCE		293		338
	QHE (Average)		1,297		1,502
Sound power level	Cooling	HIGH	47		49
	Heating		47		49

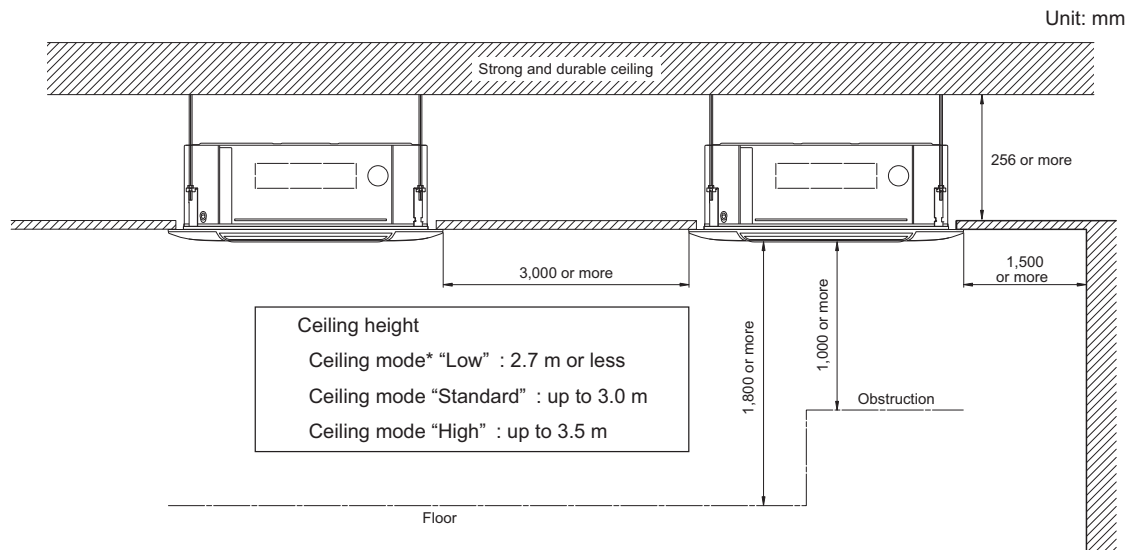
1-2. Outdoor unit

Type				Inverter heat pump			
Model name				AOYG18KATA		AOYG22KATA	
Power supply				230 V ~ 50 Hz			
Available voltage range				198—264 V			
Starting current				A		7.7	
Fan	Airflow rate	Cooling	m ³ /h	1,710		2,240	
		Heating		1,840		2,240	
	Type × Q'ty			Propeller fan × 1			
	Motor output			W		23	
Sound pressure level *1		Cooling	dB (A)	51		52	
		Heating		52		53	
Sound power level		Cooling	dB (A)	63		64	
		Heating		64		65	
Heat exchanger type	Dimensions (H × W × D)		mm	Main 1: 504 × 881 × 18.19		Main 1: 588 × 881 × 18.19	
				Main 2: 504 × 851 × 18.19		Main 2: 588 × 851 × 18.19	
	Fin pitch			Main 1: 1.3			
				Main 1: 1.3			
	Rows × Stages			Main 1: 1 × 24		Main 1: 1 × 28	
	Pipe type			Main 2: 1 × 24			
Pipe type				Copper tube			
Fin type				Aluminum			
Surface treatment				PC fin			
Compressor	Type × Q'ty			DC rotary × 1		DC twin rotary × 1	
	Motor output			W		900	
Refrigerant	Type (Global warming potential)			R32 (675)			
	Charge			g		900	
Refrigerant oil	Type			RB68A		FW68S	
	Amount			cm ³		340	
Enclosure	Material			Steel sheet			
	Color			Beige			
Dimensions (H × W × D)	Net			mm		542 × 799 × 290	
	Gross					632 × 799 × 290	
Weight	Net			kg		602 × 940 × 375	
	Gross					692 × 940 × 375	
Connection pipe	Size	Liquid	mm (in)	Ø 6.35 (Ø 1/4)			
		Gas		Ø 12.70 (Ø 1/2)			
	Method			Flare			
	Pre-charge length			15			
	Max. length			m		20	
	Max. height difference					25	
Operation range		Cooling	°C	-10 to 46			
		Heating		-15 to 24			
Drain hose	Material			PP			
	Size			mm			
Ø 13.0 (I. D.), Ø 16.0 to Ø 16.8 (O. D.)							
NOTES:							
<ul style="list-style-type: none"> • Specifications are based on the following conditions: <ul style="list-style-type: none"> – Cooling: Indoor temperature of 27 °CDB/19 °CWB, and outdoor temperature of 35 °CDB/24 °CWB. – Heating: Indoor temperature of 20 °CDB/15 °CWB, and outdoor temperature of 7 °CDB/6 °CWB. – Pipe length: 5.0 m, Height difference: 0 m (Between outdoor unit and indoor unit). • Protective function might work when using it outside the operation range. • *1: Sound pressure level <ul style="list-style-type: none"> – Measured values in manufacturer's anechoic chamber. – Because of the surrounding sound environment, the sound levels measured in actual installation conditions might be higher than the specified values here. 							

Installation space requirement

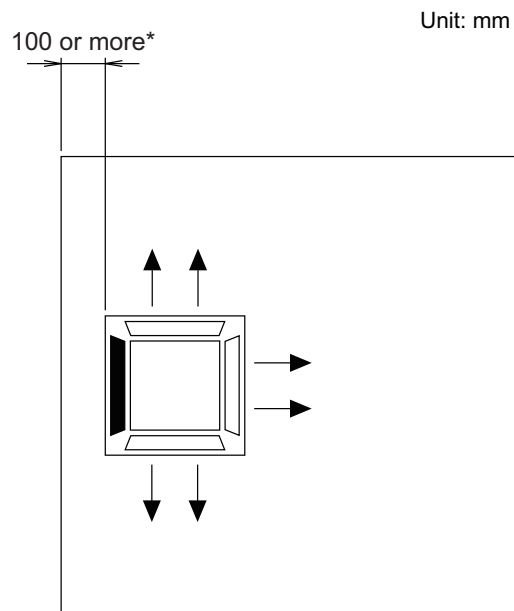
Provide sufficient installation space for product safety.

For 4-direction setting:



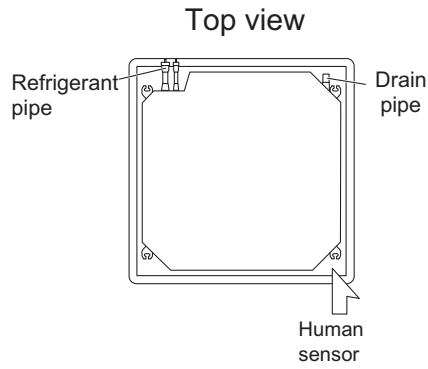
*: For switching the ceiling mode, refer to "Contents of function setting" on page 1.

For 3-direction setting:



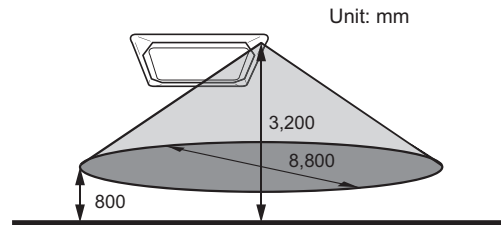
NOTES:

- To set "3-direction", optional Air outlet shutter plate (UTR-YDZK) must be installed, and the "outlet-direction" need to be switched to "3-way" by remote controller.
 - *: When installing the indoor unit, be careful about the maintenance space.
- The ceiling height cannot be set in the 3-way outlet mode. Therefore, ceiling height setting change by function setting 20 is prohibited. For details, refer to "Contents of function setting" on page 1.

Human sensor (Option)

Example of sensitivity range:

When the installation height gets higher, the temperature sensitivity decreases.



Equal sensitivity range of temperature	Ceiling height	3,200 mm
	Detecting position	800 mm from floor surface

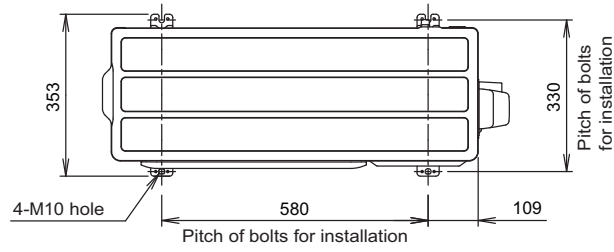
⚠ CAUTION

Do not place large objects near the human sensor. Also keep heating units outside the sensor's detection area.

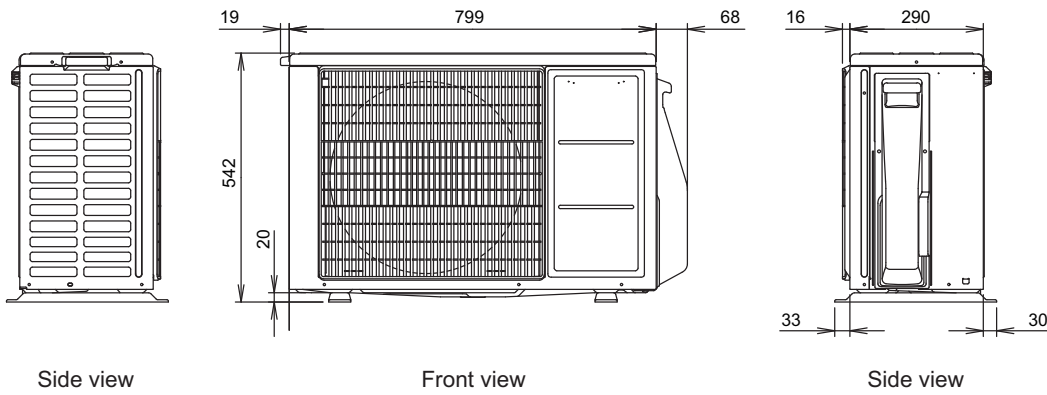
2-2. Outdoor unit

■ AOYG18KATA

Unit: mm



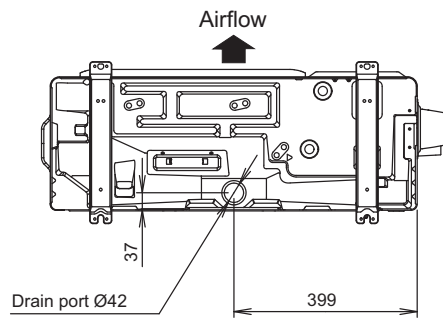
Top view



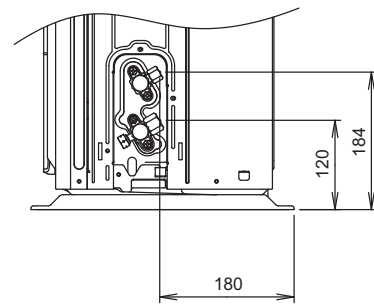
Side view

Front view

Side view



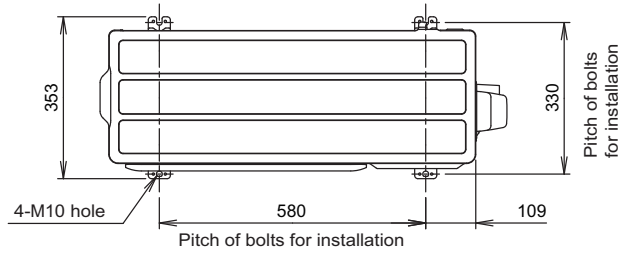
Bottom view



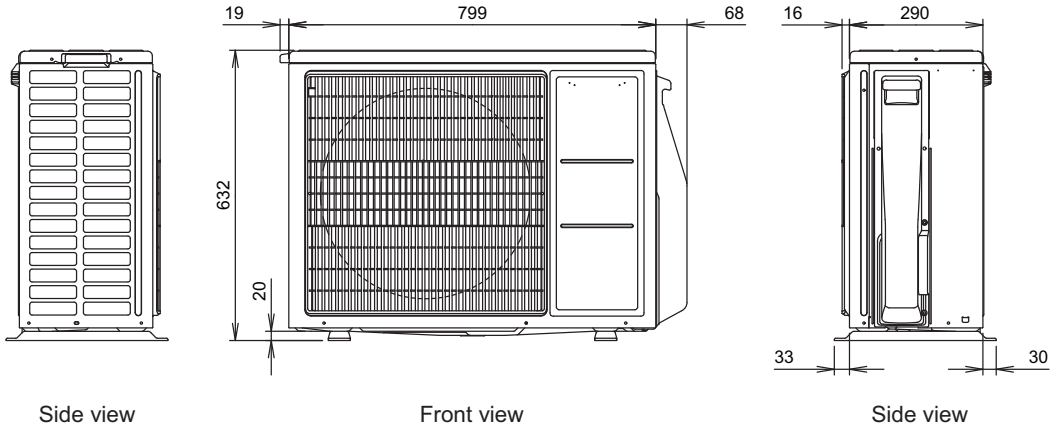
Side view (Valve part)

■ Model: AOYG22KATA

Unit: mm



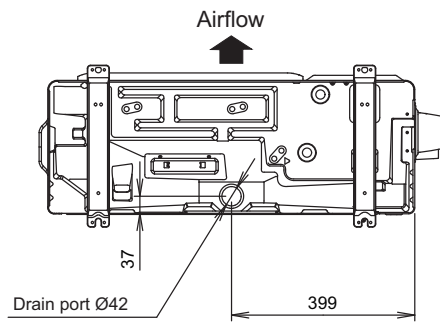
Top view



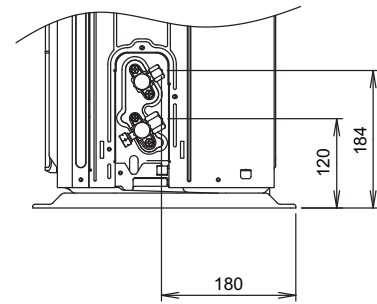
Side view

Front view

Side view



Bottom view



Side view (Valve part)