

# New Wall Mounted Model

ASYG30KMTA / AOYG30KMTA  
ASYG36KMTA / AOYG36KMTA

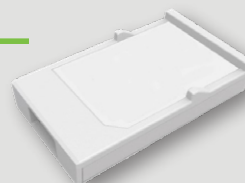
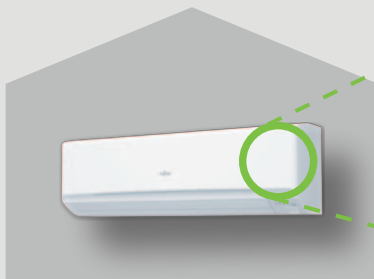


## Point Smart Device Control (Option)

One mobile device can control up to 24 indoor units remotely. Multiple devices can also be used to control a single unit.



1. You will require an internet connection on your mobile device to control your unit remotely via the FGLair app.
2. Installing the Fujitsu wireless LAN technology requires the presence of an existing wireless LAN internet connection and router within your home.



NEW Wireless LAN Interface

## Point Compact and lightweight outdoor unit

A compact size and lightweight indoor unit & outdoor unit has been developed by reducing the basic chassis and the overall material weight.



## Point Adopting new refrigerant R32

R32 refrigerant is highly environmentally friendly for the reduction of the global warming potential than other refrigerant.



**Model: ASYG30KMTA / AOYG30KMTA  
ASYG36KMTA / AOYG36KMTA**



Wireless RC



ASYG30 / 36KMTA



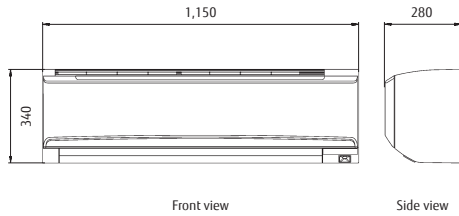
AOYG30 / 36KMTA

**Optional parts**

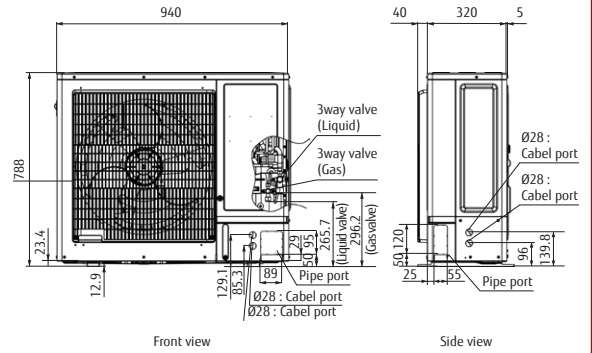
- Wired Remote Controller : UTY-RNRYZ3  
UTY-RLRY
- Simple Remote Controller : UTY-RSRY  
UTY-RHRY
- External Connect Kit : UTY-XWZXZ5
- External Input and Output PCB : UTY-XCSXZ2
- Communication Kit : UTY-TWRXZ2
- Wireless LAN Interface : UTY-TFSXF2

**Dimensions**

Indoor unit : ASYG30 / 36KMTA



Outdoor unit : AOYG30 / 36KMTA



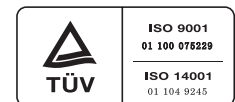
**Specifications**

Model name		Indoor unit	TENTATIVE	
			Outdoor unit	ASYG30KMTA AOYG30KMTA
Power Source			single phase / 230V / 50Hz	
Capacity	Cooling	kW	8.0 (2.9 - 9.0)	9.4 (2.9 - 10.0)
	Heating		8.8 (2.2 - 11.0)	10.1 (2.7 - 11.2)
Input Power	Cooling / Heating	kW	2.33 / 2.20	3.16 / 2.73
EER	Cooling	W/W	3.43	2.97
COP	Heating		4.00	3.70
Pdesign	Cooling / Heating (-10°C)	kW	- / -	- / -
SEER	Cooling	W/W	6.67	6.14
SCOP	Heating (Average)		4.54	4.52
Energy Efficiency Class	Cooling		A++	A++
	Heating (Average)		A+	A+
Max. Operating Current	Cooling / Heating	A	21.0 / 21.0	21.5 / 21.5
Annual Energy Consumption	Cooling	kWh/a	-	-
	Heating		-	-
Moisture Removal		l/h	-	-
Sound Pressure Level	Indoor (Cooling)	H / M / L / Q	50 / - / - / -	50 / - / - / -
	Indoor (Heating)	H / M / L / Q	49 / - / - / -	49 / - / - / -
	Outdoor (Cooling / Heating)	High	53 / 55	55 / 55
Sound Power Level	Indoor (Cooling / Heating)	High	65 / 65	65 / 65
	Outdoor (Cooling / Heating)	High	68 / 69	70 / 70
Airflow Rate	Indoor / Outdoor (Cooling)	High	- / -	- / -
	Indoor / Outdoor (Heating)	High	- / -	- / -
*Dimensions H x W x D*	Indoor	mm	340x1,150x280	340x1,150x280
	Outdoor		788x940x320	788x940x320
Net Weight	Indoor	kg(lbs)	18.5	18.5
	Outdoor		52.0	52.0
Connection Pipe Diameter (Liquid / Gas)		mm	9.52 / 15.88	9.52 / 15.88
Drain hose Diameter (I.D. / O.D.)			13.8 / 15.8 to 16.7	13.8 / 15.8 to 16.7
Max Pipe Length (Pre-Charge)		m	50 (20)	50 (20)
Max Height Difference			30	30
Operation Range	Cooling	°CDB	-15 to 46	-15 to 46
	Heating		-15 to 24	-15 to 24
Refrigerant	Type (Global Warming Potential)		R32 (675)	R32 (675)
	Charge	kg(CO2eq-T)	1.90	1.90

Note : Specifications are based on the following conditions.

Cooling : Indoor temperature of 27°CDB / 19°CWB, and outdoor temperature of 35°CDB / 24°CWB.

Heating : Indoor temperature of 20°CDB / (15°CWB), and outdoor temperature of 7°CDB / 6°CWB.



ISO 9001 Certified number: 01 100 075229  
ISO 14001 Certified number: 01 104 9245  
Fujitsu General (Thailand) Co., Ltd.

- \*Specifications and design are subject to change without notice for further improvement.
- \*Actual products' colors may be different from the colors shown in this printed material.

Distributed by :

**FUJITSU GENERAL LIMITED**

3-3-17, Suenaga, Takatsu-ku, Kawasaki 213-8502, Japan

<https://www.fujitsu-general.com/>